

Standard Equipment/Optional Equipment

Standard Equipment

General:

Overall width (reach legs) 1270 mm
Linde Load Control for lift/lower, reach, tilt and side shift

Linde twin accelerator pedals

Comprehensive digital instrument display

Maintenance-free AC 6,5 kW drive & 14 kW lift motors

Linde 180° electric steering

Linde Digital Control System (LDC) for smooth, precise electronic control of all traction and hydraulic functions

Polyurethane drive and load wheels tyres

Battery level indicator

New Standard Features:

Resiliently mounted operator's compartment

Fully adjustable seat with manual weight adjustment

Integral, adjustable control console

Generous storage compartments

Lift height indicator above free lift zone (STD and TX)

Key switch

Mast:

Torsion-resistant clear view tilt standard or triplex mast

Fork length 1150 mm

Safety:

Monitoring system stops truck in the event of traction, steering or lift failure

Seat-actuated traction interlock

Linde Curve Assist

Four independent braking systems (Regenerative and counter current braking, holding brake control with automatic parking brake and all-wheel brake system)

Automatic slowdown at end of reach travel and at max. lift

Lift height related travel speed reduction

Emergency isolator

Battery lock with creep speed interlock

Electrical and hydraulic overload protection

Protective polycarbonate screen between console and mast

Electric horn

Optional Equipment

Torsion-resistant clear view tilt standard or triplex mast with lift heights between 2930 mm and 7710 mm

Sideshift

Sideshift centering

Alternative fork lengths

Fork extensions

Load backrest

Single axis joysticks for each hydraulic function

Single accelerator pedal, automotive layout with left foot interlock

360°/180° (selectable steering modes via menu button, single accelerator pedal only)

Reverse steering

PVC covered seat

High Vision armoured glass roof

Draught protection door

Protection frame

Steel mesh profile or polycarbonate insert for overhead guard

Profiled overhead guard for drive-in racking

Side guidance wheels

Load wheel protection

Fan underneath overhead guard for driver comfort

Radio Data Terminal bracket

Option bar

Interior light

Auxiliary 12 V power socket

LED working lamps

Rotating/flashing beacon

Blue Spot™ safety light

Truck Spot™ safety light

Linde Connected Solutions

Audible traction alarm

Additional hydraulic circuit for attachments*

Battery on rollers

Battery roller stand

Alternative colour schemes

Other options available on request

* Availability to be advised



Electric Reach Trucks Capacity 1000 - 1600 kg R10B, R12B, R14B, R16B

Series 1120

Safety

With four independent braking systems, fail-to-safe dual circuitry and an impressive range of operator protection features, a safe and efficient working environment is assured.

Performance

Powerful AC traction and lift motors combined with the renowned Linde intelligent controller to deliver seamless, energy efficient performance for best productivity. Torsion-resistant clear view tilt standard or triplex masts ensure smooth, highly efficient storage and retrieval cycles.

Comfort

A world first sees the operator's work station resiliently mounted to the base chassis isolating the operator from shocks and vibrations. An ergonomic, fully adjustable seat and integral control console housing the fingertip joystick hydraulic levers together with a compact steering wheel gives unsurpassed levels of operator comfort. The unique Linde electric steering system enables effortless operation and assured manoeuvring and travelling. In this superb, stress-free working environment, the operator is motivated and can fully focus on the task.

Features

Superb working environment

- Outstanding comfort and functionality from the unique, resiliently mounted work station with an comfort seat that is fully adjustable to the operator's personal preferences
- Integral, adjustable control console incorporating all operating controls
- Linde Load Control: precise, effortless fingertip control of all mast movements
- High Vision armoured glass overhead guard top panel available as an option



Stability

- Chassis designed and built for maximum strength and durability
- Heavy-duty design and components enhance the inherent low centre of gravity for optimum stability and high residual capacities
- Linde Curve Assist for safe cornering

Precision

- Confident, seamless manoeuvring with unique Linde twin accelerator pedal
- High precision load handling with Linde Load Control
- Highly responsive electric steering
- Digital instrument display for instant readout of truck status
- Integral, adjustable operator's control console



Linde twin accelerator pedals

- Seamless and effortless forward/reverse selection provides outstanding traction control and places minimal demands on operator
- His left foot is safely protected within the chassis contours
- The operator is able to maintain high levels of efficiency and productivity

Manoeuvrability

- A short wheelbase with compact chassis dimensions and smooth, electric steering ensure easy, efficient manoeuvring and accurate straight line traction performance
- Excellent all-round visibility of the load and surrounding environment

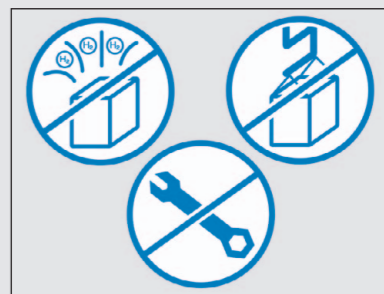


Linde clear view mast

- Torsion-resistant, clear view standard and triplex tilt masts
- Twin cylinder configuration for optimum visibility (STD-mast), plus center free lift cylinder on TX-mast
- Hydraulic hoses reeved through the mast to enhance visibility (above chains)

Batteries

- Capacities to suit every application: 420 Ah to 620 Ah
- Rapid and simple battery change - either lift-out or battery on rollers
- Li-Ion Batteries
 - 4.1. 48V/201 Ah / 9,8 kWh
 - 4.2. 48V/804 Ah / 39,2 kWh



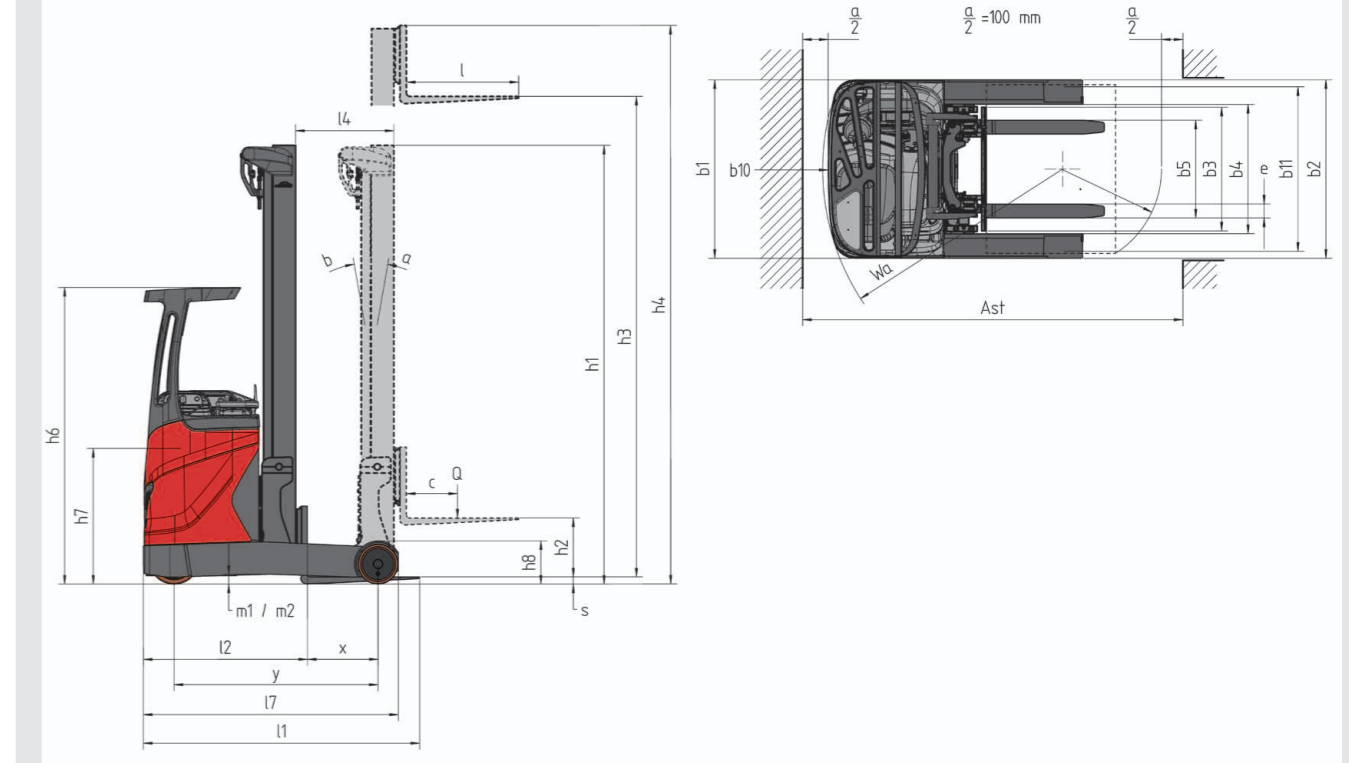
Li-ION batteries

- Emission-free batteries
- No battery gases (hydrogen) and acid
- No battery change necessary
- No requirement for a costly battery charging/changing room facility
- No battery-maintenance
- No battery cleaning or water top ups required

Technical Data according to VDI 2198

		LINDE	LINDE	LINDE	LINDE
Characteristics	1.1	Manufacturer	LINDE	LINDE	LINDE
	1.2	Manufacturer's type designation	R10B	R12B	R14B
	1.2a	Series	1120-00	1120-00	1120-00
	1.3	Power unit	Battery	Battery	Battery
	1.4	Operation	Seat	Seat	Seat
Weights	1.5	Load capacity/Load	Q (t)	1.0	1.2
	1.6	Load centre distance	c (mm)	600 / 500	600 / 500
	1.8	Axle centre to fork face	x (mm)	326 ¹⁾	326 ¹⁾
	1.9	Wheelbase	y (mm)	1275	1275
	2.1	Service weight	(kg)	2825 ²⁾	2890 ²⁾
Wheels/Tyres	2.3	Axle load without load, front/rear	(kg)	1750 / 1075	1770 / 1120
	2.4	Axle load, fork outreached, with load, front/rear	(kg)	725 / 3100	600 / 3490
	2.5	Axle load, fork retracted, with load, front/rear	(kg)	1535 / 2290	1512 / 2578
	3.1	Tyres rubber, SE, pneumatic, polyurethane		Polyurethane	Polyurethane
	3.2	Tyre size, front		Ø 360 x 130	Ø 360 x 130
Dimensions	3.3	Tyre size, rear		Ø 285 x 100	Ø 285 x 100
	3.5	Wheels, number front/rear (x = driven)		1x / 2	1x / 2
	3.6	Track width, front	b10 (mm)	0	0
	3.7	Track width, rear	b11 (mm)	1167	1167
	4.1	Mast/fork carriage tilt, forward/backward	a/b (°)	2.0 / 2.0	2.0 / 2.0
	4.2	Height of mast, lowered	h1 (mm)	2524 ³⁾	3024 ³⁾
	4.3	Free lift	h2 (mm)	150	150
	4.4	Lift	h3 (mm)	3832	4832
	4.5	Height of mast, extended	h4 (mm)	4497 ⁴⁾	5497 ⁴⁾
	4.7	Height of overhead guard (cabin)	h6 (mm)	2110 ⁵⁾	2110 ⁵⁾
	4.8	Height of seat/stand on platform	h7 (mm)	910 - 1040	910 - 1040
	4.10	Height of reach legs	h8 (mm)	307.5	307.5
	4.19	Overall length	l1 (mm)	2318 ²⁾	2318 ²⁾
	4.20	Length to fork face	l2 (mm)	1168	1168
	4.21	Overall width	b1/b2 (mm)	1270	1270
	4.22	Fork dimensions DIN ISO 2331	s/e/l (mm)	40 x 80 x 1150	40 x 80 x 1150
	4.23	Fork carriage to ISO 2328, class/type A, B		2A	2A
	4.24	Width of fork carriage	b3 (mm)	880	880
	4.25	Fork spread	b5 (mm)	296 / 829	296 / 829
	4.26	Distance between wheel arms/loading surfaces	b4 (mm)	920	920
4.28	Reach travel	l4 (mm)	515	515	
4.31	Ground clearance, below mast	m1 (mm)	90	90	
4.32	Ground clearance, centre of wheelbase	m2 (mm)	70	70	
4.34.1	Aisle width for pallets 1000 x 1200 crossways	Ast (mm)	2644 ²⁾ 617 ⁷⁾	2644 ²⁾ 617 ⁷⁾	
4.34.2	Aisle width with pallet 800 x 1200 along forks	Ast (mm)	2703 ²⁾ 617 ⁷⁾	2703 ²⁾ 617 ⁷⁾	
4.35	Turning radius	Wa (mm)	1542 ⁸⁾	1542 ⁸⁾	
4.37	Length of chassis	l7 (mm)	1639	1639	
Performance	5.1	Travel speed, with/without load	(km/h)	11 / 11 ⁹⁾ 10)	11 / 11 ⁹⁾ 10)
	5.2	Lifting speed, with/without load	(m/s)	0.51 / 0.57	0.45 / 0.57
	5.3	Lowering speed, with/without load	(m/s)	0.55 / 0.55	0.55 / 0.55
	5.4	Reach speed, with/without load	(m/s)	0.16	0.16
	5.8	Maximum climbing ability, with/without load	(%)	10.0 / 10.0	10.0 / 10.0
	5.9	Acceleration time, with/without load	(s)	-	-
5.10	Service brake		hydr./mech.	hydr./mech.	
Drive	6.1	Drive motor rating S2 60 min	(kW)	6.5	6.5
	6.2	Lift motor rating at S3 15%	(kW)	14	14
	6.3	Battery according to DIN 43531/35/36 A,B,C,no		43 531/C [Li-ION]	43 531/C [Li-ION]
	6.4	Battery voltage/rated capacity (5h)	(V)/(Ah)	48 / 420/465 [48/201] ¹¹⁾	48 / 420/465 [48/201] ¹¹⁾
	6.4.a	Battery energy content	(kWh)	[9.8] ¹¹⁾	[9.8] ¹¹⁾
	6.5	Battery weight (± 5%)	(kg)	750	750
	6.6	Power consumption according to VDI cycle	(kWh/h)	3.4	3.6
10.7	Sound pressure level LpAZ (at the driver's seat)	(dB(A))	64	64	

1) -30 mm with int. side shifter
 2) Alternative batteries may alter l1, Ast and service weight.
 3) With 150 mm free lift
 4) with integrated side shifter (with ± 80 mm side stroke)
 5) With ambient cabin + 95 mm
 6) Including a 200 mm (min.) operating aisle clearance.
 7) Some truck specification require a reach-back restriction. Please note information in Linde
 8) Attention, with cabin increased turning radius (Wa) due to required fender.
 9) forward; backward
 10) Depending on performance setting
 11) Figures in [] with Li-ION battery see line 6.4



Clear view tilt standard mast (in mm)
 R 10 B, R 12 B, R 14 B, R 16 B

	h3	2932	3232	3532	3832	4032	4232	4532	4832	4932	5132	5332	5532	6032	6532
Lift	h3	2932	3232	3532	3832	4032	4232	4532	4832	4932	5132	5332	5532	6032	6532
Free Lift	h2	150	150	150	150	150	150	150	150	150	150	150	150	150	150
Height of mast, lowered	h1	2123	2273	2423	2573	2673	2773	2923	3073	3123	3223	3323	3423	3673	3923
Height of mast, extended	h4	3597	3897	4197	4497	4697	4897	5197	5497	5390	5597	5797	6197	6697	7197

Clear view tilt triplex mast (in mm)
 R 10 B, R 12 B, R 14 B, R 16 B

	h3	4460	4610	4910	5210	5410	5710	5860	6210	6510	6660	6960	7260	7560	7710
Lift	h3	4460	4610	4910	5210	5410	5710	5860	6210	6510	6660	6960	7260	7560	7710
Free Lift	h2	1407	1457	1557	1657	1757	1857	1907	2057	2157	2207	2307	2407	2507	2557
Height of mast, lowered	h1	2074	2124	2224	2324	2424	2524	2574	2724	2824	2874	2974	3074	3174	3224
Height of mast, extended	h4	5132	5282	5582	5882	6082	6382	6532	6882	7182	7332	7632	7932	8232	8382

Alternative lift heights are available on request.
 Lift height = h3 + s
 Only standard mast: h1 = with 150 mm free lift